

MOOG

STEERING & SUSPENSION

Only MOOG® offers the total undercar solutions today's technicians need. This comprehensive offering now includes:

Complete Strut Assemblies

**2005-2009
Buick LaCrosse**

**2004-2009
Chevrolet Impala**

**ST8569R Front, RH
ST8569L Front, LH**



Performance & Innovation

FEATURING: TRIPLE PISTON ROD SEAL

OUTER WIPER SEAL

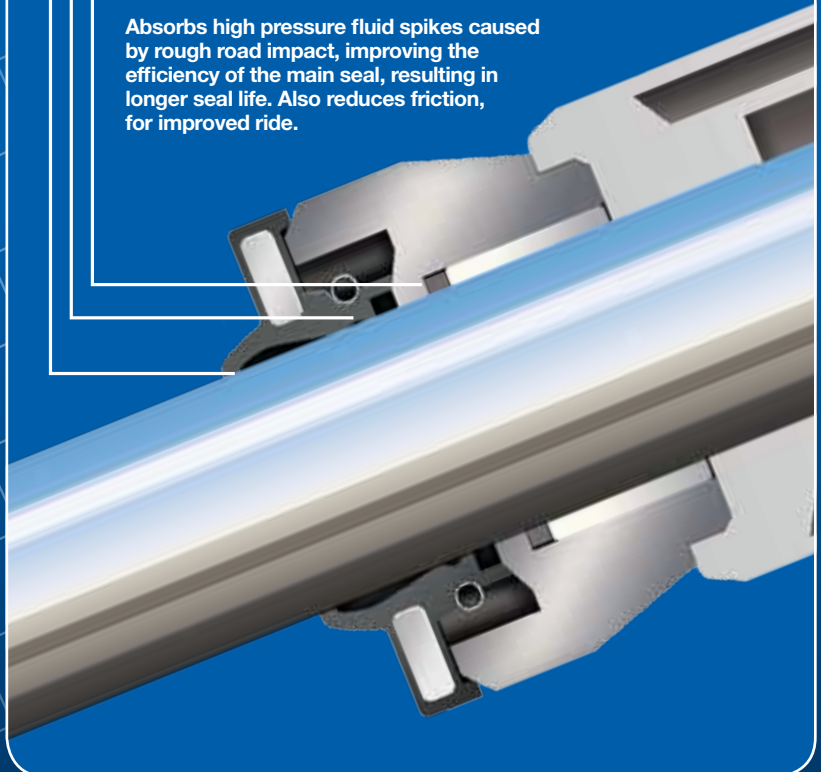
Cleans the piston rod, preventing contaminants from entering the strut and damaging the main seal.

MAIN SEAL

One-piece molded design features twin seal lips, optimizing sealing performance and durability.

INNER PTFE BUFFER SEAL

Absorbs high pressure fluid spikes caused by rough road impact, improving the efficiency of the main seal, resulting in longer seal life. Also reduces friction, for improved ride.



MOOG Strut Assembly
(P/N ST8569R, ST8569L shown)

